

ASSEMBLED CORDS WITH INSEPARABLE PLUG, CABELS ARRANGED INTO SPIRALS WITH FREE ENDS

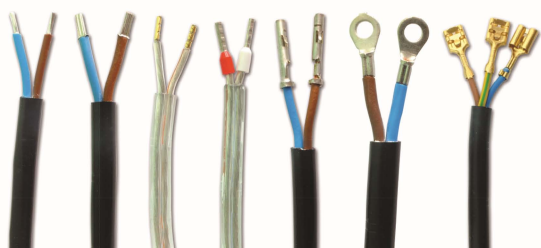
Numerical designation of assembled cords with inseparable plug	20
Cables up to 300 V with PVC sheath arranged into spiral - type H03VV-F according to HD 21.5	21
V201 PVC Two-wire assembled cords with inseparable moulded plug	22
V202 PVC Two-wire assembled cords with inseparable moulded plug	23
V204 PVC Two-wire assembled cords with inseparable moulded plug	24
V204 Rubber Two-wire assembled cords with inseparable moulded plug	25
V206 Rubber Two-wire assembled cords with inseparable moulded plug	26
V207 PVC Two-wire assembled cords with inseparable moulded plug	27
V301 PVC Three-wire assembled cords with inseparable moulded plug	28
V301 Rubber Three-wire assembled cords with inseparable moulded plug	29
V301 PUR Three-wire assembled cords with inseparable moulded plug	30
V302 PVC Three-wire assembled cords with inseparable moulded plug	31
V302 Rubber Three-wire assembled cords with inseparable moulded plug	32
V303 PVC Three-wire assembled cords with inseparable moulded plug	33
V303 Rubber Three-wire assembled cords with inseparable moulded plug	34
V304 PVC Two-wire and three-wire assembled cords with inseparable moulded english plug and fuse	35
N2 Assembled cords with connector	36
N2/V201 Special assembled cords with inseparable moulded plug and connector	37
N5 Assembled cords with inseparable moulded connector for class 1 appliances	38
N5/V301 Special assembled cords with inseparable moulded plug and connector	39
N5/V302 Special assembled cords with inseparable moulded plug and connector	40
N6/V201 Special assembled cords with inseparable moulded plug and connector	41
P5 Assembled cords with inter-connecting instrument plug	42
P5/N5 Assembled cords with detachable plug	43
PVC 500V Cables up to 500 V with PVC sheath arranged into spiral - type H05VV-F according to HD 21.5	44
PUR 500V Cables up to 500 V with PUR sheath arranged into spiral - type V05VQ-F according to PN-NKT-087-10	45
Cable bushings Standard cable bushings for cables type - H03VV-F, H03VVH2-F, H05VV-F, H05VVH2-F	46
Power cords	47
Power cords 380V	48
Design options of braiding of wires	49

Numerical designation of assembled cords with inseparable plug

YY/85 2071-CX/L

YY/	Type of stripped cord	V201, V202, V204, V206, V301, V207, V302, V303, V304 – Plugs N2 – Connector for electric shavers N5 – Instrument connector for computers, boiling pots etc. N6 – Connector for mains connection of tape recorders, radio sets etc. P5 – Instrument plug				
85	Material	PVC insulated cables 81 – H03VH7H-F 82 – H03VVH2-F 85 – H03VV-F 86 – H05VV-F 87 – H05VVH2-F 88 – V05V3V3-F	Rubber insulated cables 52 – CGSG 91 – H05RR-F 93 – H05RN-F 94 – H07RN-F 97 – H07BB-F	PUR insulated cables 84 – V05VQ-F	Braided 73 – HO5RN – F 76 – HO5VV – F	Silicone Cables 61 - V05SS - F
2	Number of conductors	2, 3				
07	Cross-section of conductor (mm ²)	05 – 0,50 07 – 0,75 10 – 1,00 15 – 1,50				
1	Shape of plug	1,9 – straight plugs 7 – angular plug 5 – special plug 6 – UK plug with fuse 0 – special, eventually plug-free				
-C	Color	1 – black 2 – grey 3 – white	4 – brown 5 – green 6 – blue	7 – red 8 – yellow 9 – orange		
X	Free end termination	tin coating, fastons, brass ferrules, cable lugs, without stripping ...				
/L	Length	maximum 50 m (unless otherwise agreed)				

Standard design options of termination of wire cores for assembled cords



Design options of loose end

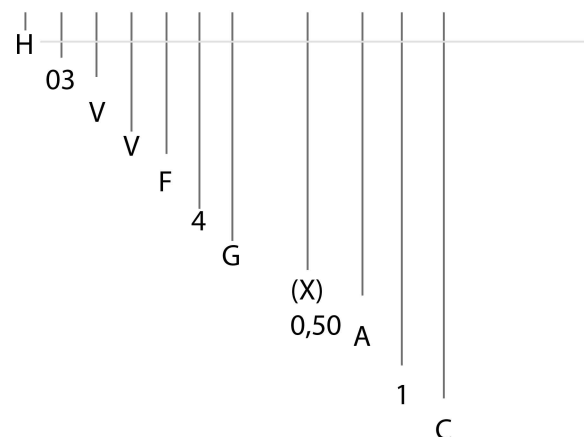
- tin coating
- crimping of wire brass ferrules
- crimping of insulated wire brass ferrules
- quick disconnects of type FASTON
- ring terminal (cable lug)

Assembled cords with inseparable plug, cables arranged into spirals with free ends

Cables up to 300 V with PVC sheath arranged into spiral - type H03VV-F according to HD 21.5

Numerical marking of stripped cords

H 03 V V-F 4 G 0,50 - A - 1 C



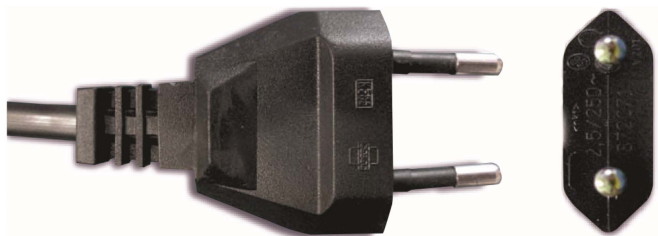
- cable according to harmonized standard
- nominal voltage 300/300 V
- material of insulation PVC
- material of sheath PVC
- flexible conductor to class 5
- number of conductors
- color version of cores, according to HD 308 S2
- core diameter (mm²)
- spiral length in still stand *)
(A=800 mm, B=600 mm, C=300 mm, D=other length)
- type free end termination
- color of sheath black, B – color of sheath white

*) Spiral may be stretched up to the triple still length with holding its shape memory.

Type of spiral	Length of spiral *) (mm)	Free end 1 with sheath + cores (mm)	Free end 2 with sheath + cores (mm)	Windup	Type of cable
H03VV-F2X0,5-A-1 B	800	100	100	Without stripping	H03VV-F 2X0,5
H03VV-F2X0,5-B-1 C	600	100	100	Without stripping	H03VV-F 2X0,5
H03VV-F2X0,5-B-1 B	600	100	100	Without stripping	H03VV-F 2X0,5
H03VV-F2X0,5-C-1 C	300	100	100	Without stripping	H03VV-F 2X0,5
H03VV-F2X0,5-C-1 B	300	100	100	Without stripping	H03VV-F 2X0,5
H03VV-F2X0,5-D-2 C	360	80+85	80+40	Tin coating, ferrules	H03VV-F 2X0,5
H03VV-F2X0,5-D-2 B	360	80+85	80+40	Tin coating, ferrules	H03VV-F 2X0,5
H03VV-F2X0,5-A-3 C	800	70+40	70+40	Ferrules	H03VV-F 2X0,5
H03VV-F2X0,5-A-3 B	800	70+40	70+40	Ferrules	H03VV-F 2X0,5
H03VV-F2X0,5-B-3 C	600	70+40	70+40	Ferrules	H03VV-F 2X0,5
H03VV-F2X0,5-B-3 B	600	70+40	70+40	Ferrules	H03VV-F 2X0,5
H03VV-F2X0,5-C-3 C	300	70+40	70+40	Ferrules	H03VV-F 2X0,5
H03VV-F2X0,5-C-3 B	300	70+40	70+40	Ferrules	H03VV-F 2X0,5
H03VV-F3G0,5-A-1 C	800	100	100	Without stripping	H03VV-F 3G0,5
H03VV-F3G0,5-A-1 B	800	100	100	Without stripping	H03VV-F 3G0,5
H03VV-F3G0,5-B-1 C	600	100	100	Without stripping	H03VV-F 3G0,5
H03VV-F3G0,5-B-1 B	600	100	100	Without stripping	H03VV-F 3G0,5
H03VV-F3G0,5-C-1 C	300	100	100	Without stripping	H03VV-F 3G0,5
H03VV-F3G0,5-C-1 B	300	100	100	Without stripping	H03VV-F 3G0,5
H03VV-F3G0,5-D-4 C	170	120+40	55+25	Ferrules	H03VV-F 3G0,5
H03VV-F3G0,5-D-4 B	170	120+40	55+25	Ferrules	H03VV-F 3G0,5
H03VV-F3G0,5-A-3 C	800	100+40	100+40	Ferrules	H03VV-F 3G0,5
H03VV-F3G0,5-A-3 B	800	100+40	100+40	Ferrules	H03VV-F 3G0,5
H03VV-F3G0,5-B-3 B	600	100+40	100+40	Ferrules	H03VV-F 3G0,5
H03VV-F3G0,5-C-3 C	300	100+40	100+40	Ferrules	H03VV-F 3G0,5
H03VV-F3G0,5-C-3 B	300	100+40	100+40	Ferrules	H03VV-F 3G0,5
H03VV-F3G0,5-C-2 C	300	150+100	50+75	Tin coating	H03VV-F 3G0,5
H03VV-F3G0,5-C-2 B	300	150+100	50+75	Tin coating	H03VV-F 3G0,5
H03VV-F4G0,5-A-3 B	800	100+40	100+40	Ferrules	H03VV-F 4G0,5
H03VV-F4G0,5-B-3 B	600	100+40	100+40	Ferrules	H03VV-F 4G0,5
H03VV-F4G0,5-C-3 B	300	100+40	100+40	Ferrules	H03VV-F 4G0,5

Two-wire assembled cords with inseparable moulded plug

V201 PVC



Technical specification:	ČSN EN 50075
Rated voltage:	250 V
Rated current *):	2,5 A
Temperature range for handling:	-5 °C to +70 °C
Environmentally friendly product:	meets RoHS REACH
Material - plug:	PVC
Material - sheath:	PVC
Sheath color:	black (C), white (B), grey (S)

Construction

PVC, 2 cores

Catalogue number – Cable type

V201/81 2051 – H03VH7H-F 2x0,50 mm²

V201/82 2051 – H03VVH2-F 2x0,50 mm²

V201/82 2071 – H03VVH2-F 2x0,75 mm²

V201/87 2071 – H05VVH2-F 2x0,75 mm²

Max. length

2 m

2 m

50 m

50 m

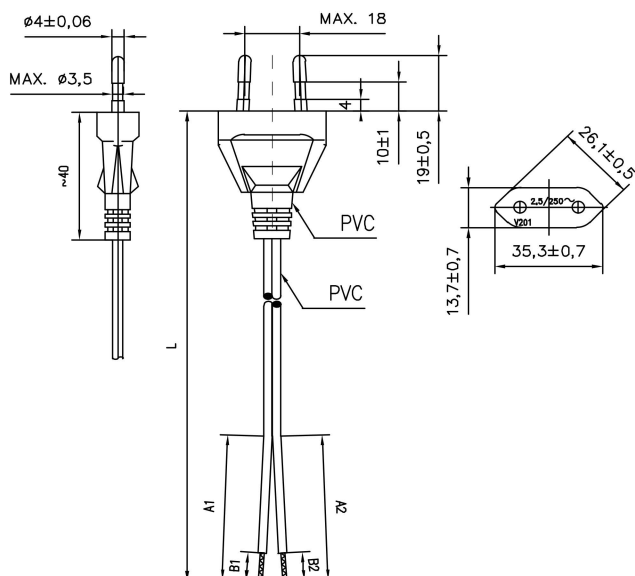
*) The given rated current refers to the moulded plug.

Current ratings of individual striped cord types with moulded plugs can be calculated with help of values and formels given in standards ČSN 33 2000-5-523 and ČSN 34 7410-5 considering the used cable type.

Numerical data are not guaranteed, and they are subject to changes without notification.

APPLICATION

Light portable appliances, kitchen appliances, video, DVD, TV, curling irons, hair dryers, soldering irons.



Assembled cords with inseparable plug, cables arranged into spirals with free ends

Two-wire assembled cords with inseparable moulded plug

V202 PVC



Technical specification:	ČSN IEC 60884
Rated voltage:	250 V
Rated current *):	10 A (V202/86 2071) 16 A (others)
Temperature range for handling:	-5 °C to +70 °C
Environmentally friendly product:	meets RoHS REACH
Material - plug:	PVC
Material - sheath:	PVC
Sheath color:	black (C), white (B), grey (S)

Construction

PVC, 2 cores

Catalogue number – Cable type

Catalogue number – Cable type	Max. length
V202/86 2071 – H05VV-F 2x0,75 mm ²	50 m/S
V202/86 2101 – H05VV-F 2x1 mm ²	50 m/S
V202/86 2151 – H05VV-F 2x1,5 mm ²	50 m/S

S = Coiled cord

The maximum length of the spirall is 0,85 m. Operation length is three times longer than the length of the spirall before outstretchig.

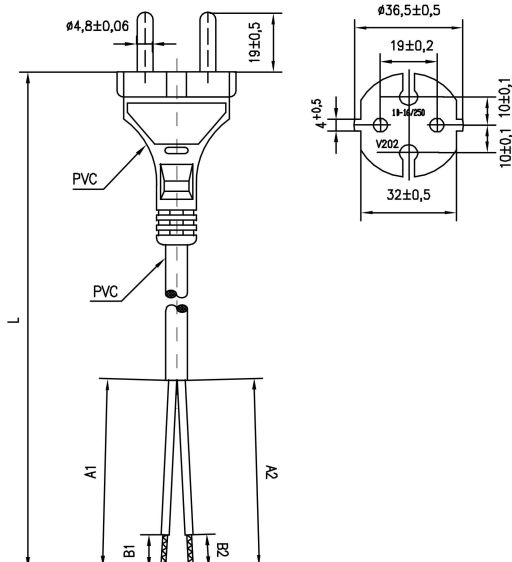
*) The given rated current refers to the moulded plug.

Current ratings of individual striped cord types with moulded plugs can be calculated with help of values and formels given in standards ČSN 33 2000-5-523 and ČSN 34 7410-5 considering the used cable type.

Numerical data are not guaranteed, and they are subject to changes without notification.

APPLICATION

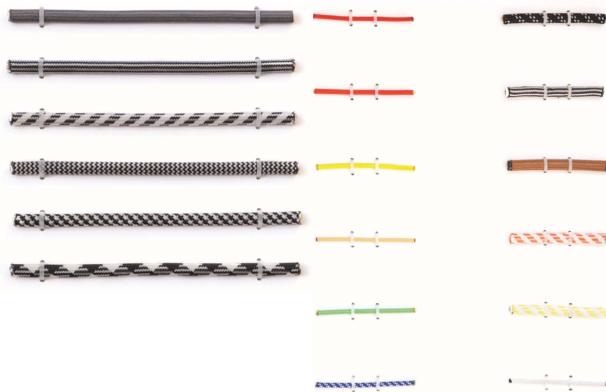
Vacuum cleaners, light electric garden tools, lawn mowers, power tools.



Type version:

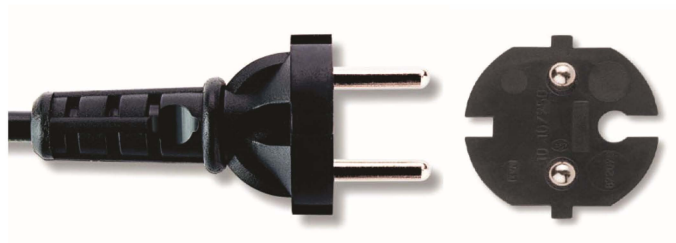
Non braided - see „Numerical indication of assembled power cords“

Braided - see „Versions of braided power cords“ (pg. 49)



Two-wire assembled cords with inseparable moulded plug

V204 PVC



Construction

PVC, 2 cores

Catalogue number – Cable type

V204/86 2079 – H05VV-F 2x0,75 mm²

V204/87 2079 – H05VVH2-F 2x0,75 mm²

Max. length

50 m

50 m

Technical specification: ČSN IEC 60884

Rated voltage: 250 V

Rated current *): 10 A

Temperature range for handling: -5 °C to +70 °C

Environmentally friendly product: meets RoHS REACH

Material - plug: PVC

Material - sheath: PVC

Sheath color: black

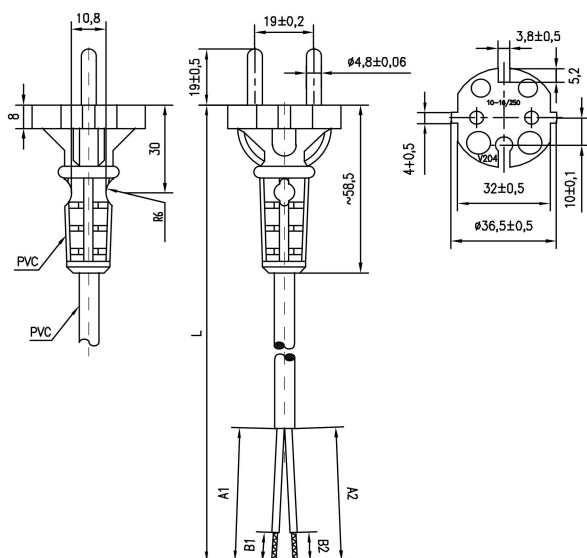
*) The given rated current refers to the moulded plug.

Current ratings of individual striped cord types with moulded plugs can be calculated with help of values and formels given in standards ČSN 33 2000-5-523 and ČSN 34 7410-5 considering the used cable type.

Numerical data are not guaranteed, and they are subject to changes without notification.

APPLICATION

Electronically regulated appliances.



Type version:

Non braided - see „Numerical indication of assembled power cords“

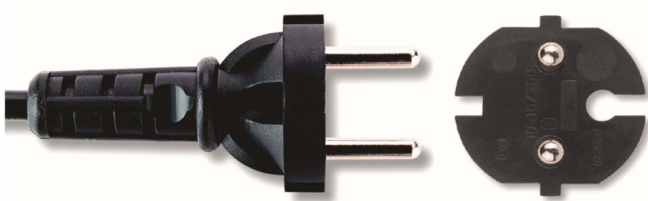
Braided - see „Versions of braided power cords“ (pg. 49)



Assembled cords with inseparable plug, cables arranged into spirals with free ends

Two-wire assembled cords with inseparable moulded plug

V204 Rubber



Technical specification:	ČSN IEC 60884
Rated voltage:	250 V
Rated current *):	16 A
Temperature range for handling:	-40 °C to +60 °C
Environmentally friendly product:	meets RoHS REACH
Material - plug:	PVC
Material - sheath:	rubber
Sheath color:	black

Construction

Rubber, 2 cores

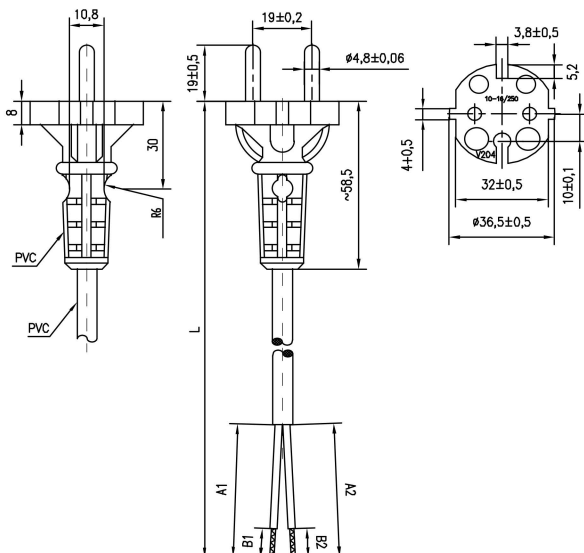
Catalogue number – Cable type
V204/93 2109 – H05RN-F 2x1 mm²

Max. length
50 m

*) The given rated current refers to the moulded plug. Current ratings of individual striped cord types with moulded plugs can be calculated with help of values and formels given in standards ČSN 33 2000-5-523 and ČSN 34 7410-5 considering the used cable type. Numerical data are not guaranteed, and they are subject to changes without notification.

APPLICATION

Electronically regulated appliances.



Type version:

Non braided - see „Numerical indication of assembled power cords“

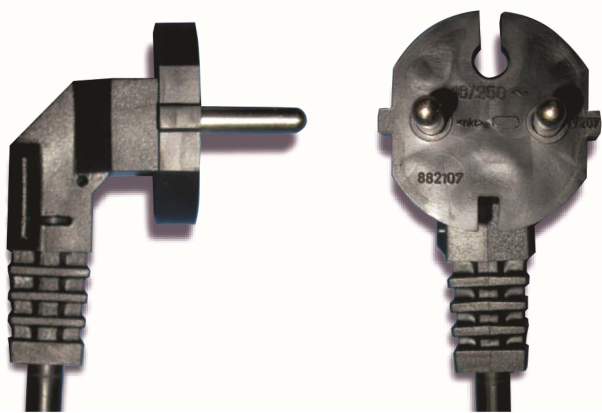
Braided - see „Versions of braided power cords“ (pg. 49)



Assembled cords with inseparable plug, cables arranged into spirals with free ends

Two-wire assembled cords with inseparable moulded plug

V207 PVC



Technical specification:	ČSN IEC 60884
Rated voltage:	250 V
Rated current *):	16 A
Temperature range for handling:	-40 °C to +70 °C
Environmentally friendly product:	meets RoHS REACH
Material - plug:	PVC
Material - sheath:	colde resistant PVC
Sheath color:	black-grey

Construction

PVC, 2 corey

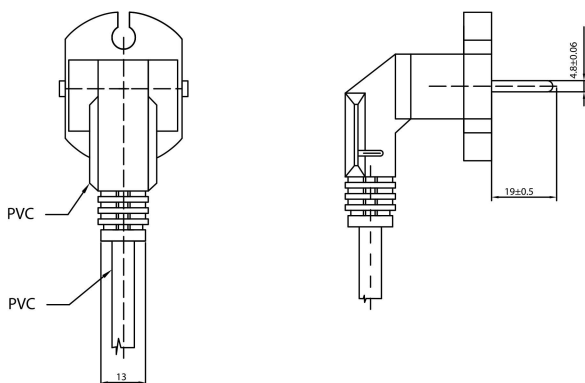
Catalogue number – Cable type
V207/88 2107 – V05V3V3-F 2x1 mm²

Max. length
50 m

*) The given rated current refers to the moulded plug. Current ratings of individual striped cord types with moulded plugs can be calculated with help of values and formels given in standards ČSN 33 2000-5-523 and ČSN 34 7410-5 considering the used cable type. Numerical data are not guaranteed, and they are subject to changes without notification.

APPLICATION

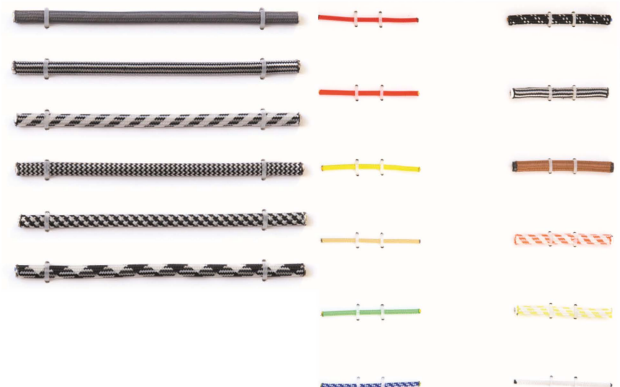
In low temperature environment.



Type version:

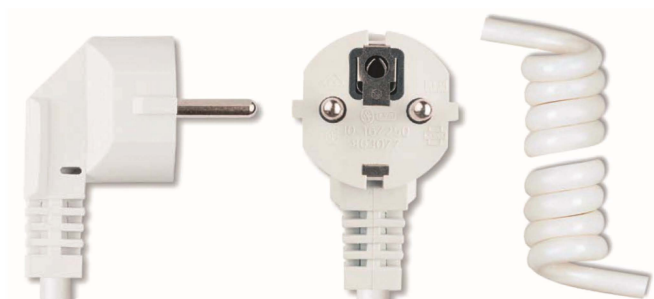
Non braided - see „Numerical indication of assembled power cords“

Braided - see „Versions of braided power cords“ (pg. 49)



Three-wire assembled cords with inseparable moulded plug

V301 PVC



Construction

PVC, 3 cores

Catalogue number – Cable type

Catalogue number – Cable type	Max. length
V301/85 3077 – H03VV - F 3G0,75mm ²	50 m/S
V301/86 3077 – H05VV - F 3G0,75mm ²	50 m/S
V301/86 3107 – H05VV - F 3G1 mm ²	50 m/S
V301/86 3157 – H05VV - F 3G1,5 mm ²	50 m/S

S = Coiled cord

The maximum length of the spirall is 0,85 m. Operation length is three times longer than the length of the spiral before outstretchig.

Technical specification: ČSN IEC 60884

Rated voltage: 250 V

Rated current *): 10 A (V301/85 3077, 86 3077)
16 A (V301/86 3107, 86 3157)

Temperature range for handling: -5 °C to +70 °C

Environmentally friendly product: meets RoHS REACH

Material - plug: PVC

Material - sheath: PVC

Sheath color: black (C), white (B), grey (S)

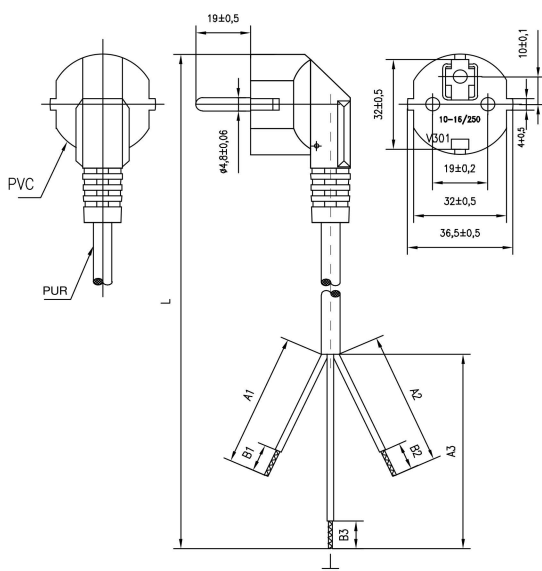
*) The given rated current refers to the moulded plug. Current ratings of individual striped cord types with moulded plugs can be calculated with help of values and formels given in standards ČSN 33 2000-5-523 and ČSN 34 7410-5 considering the used cable type.

Numerical data are not guaranteed, and they are subject to changes without notification.

The plug meet the requirements **SCHUKO, UNISCHUKO** standards

APPLICATION

Free standing lamps, freezers, washing machines, dryes. Spiral - electric clotheshorses.



Type version:

Non braided - see „Numerical indication of assembled power cords“

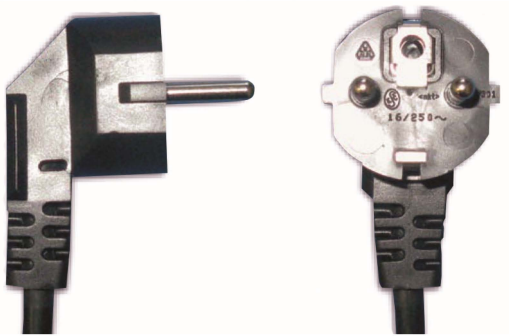
Braided - see „Versions of braided power cords“ (pg. 49)



Assembled cords with inseparable plug, cables arranged into spirals with free ends

Three-wire assembled cords with inseparable moulded plug

V301 Rubber



Technical specification:	ČSN IEC 60884
Rated voltage:	250 V
Rated current *):	16 A
Temperature range for handling:	-40 °C to +60 °C
Environmentally friendly product:	meets RoHS REACH
Material - plug:	PVC
Material - sheath:	rubber
Sheath color:	black

Construction

Rubber, 3 cores

Catalogue number – Cable type	Max. length
V301/91 3107 – H05RR - F 3G1 mm ²	50 m
V301/91 3157 – H05RR - F 3G1,5 mm ²	50 m
V301/93 3107 – H05RN - F 3G1 mm ²	50 m

*) The given rated current refers to the moulded plug.

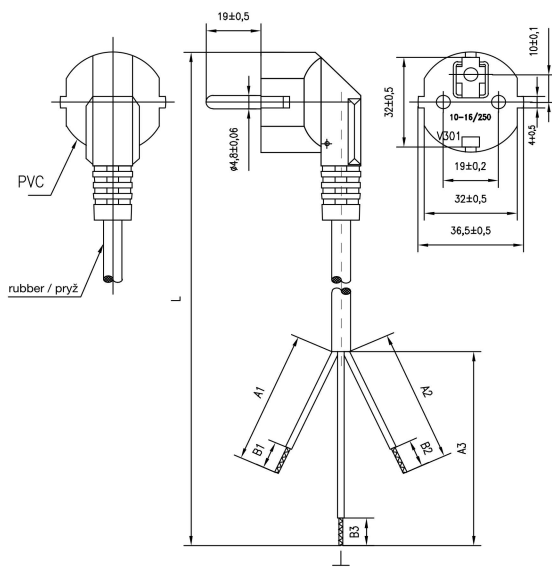
Current ratings of individual striped cord types with moulded plugs can be calculated with help of values and formels given in standards ČSN 33 2000-5-523 and ČSN 34 7410-5 considering the used cable type.

Numerical data are not guaranteed, and they are subject to changes without notification.

The plug meet the requirements **SCHUKO**, **UNISCHUKO** standards

APPLICATION

All heat appliances - hot plates, toasters, remoska cookers, hand power tools with protective conductor.



Type version:

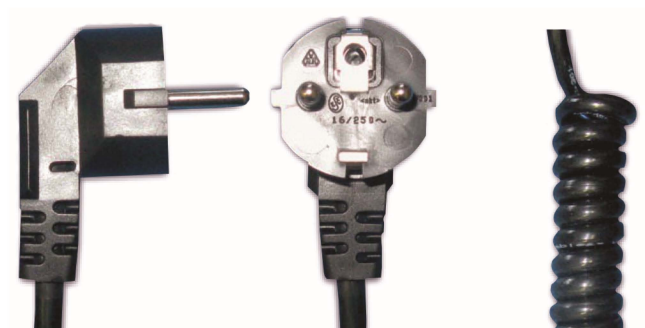
Non braided - see „Numerical indication of assembled power cords“

Braided - see „Versions of braided power cords“ (pg. 49)



Three-wire assembled cords with inseparable moulded plug

V301 PUR



Technical specification:	ČSN IEC 60884
Rated voltage:	250 V
Rated current *):	16 A
Temperature range for handling:	-5 °C to +70 °C
Environmentally friendly product:	meets RoHS REACH
Material - plug:	PVC
Material - sheath:	PUR
Sheath color:	black

Construction

PUR, 3 cores

Catalogue number – Cable type

V301/84 3107 – V05VQ - F 3G1 mm²

V301/84 3157 – V05VQ - F 3G1,5 mm²

Max. length

50 m/S

50 m/S

S = Coiled cord

The maximum length of the spirall is 0,85 m. Operation length is three times longer than the length of the spiral before outstretchig.

*) The given rated current refers to the moulded plug.

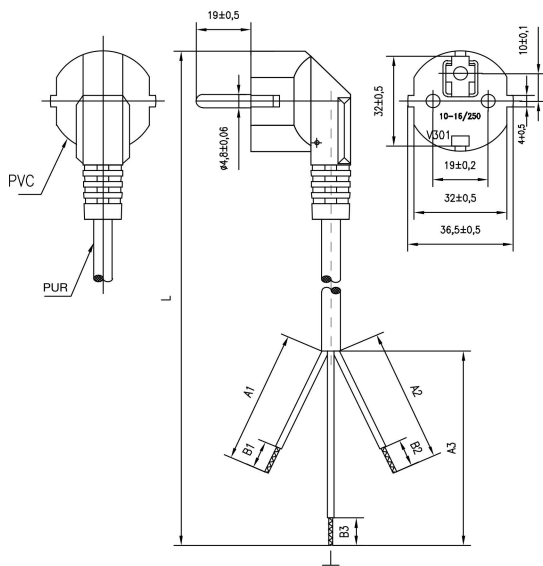
Current ratings of individual striped cord types with moulded plugs can be calculated with help of values and formels given in standards ČSN 33 2000-5-523 and ČSN 34 7410-5 considering the used cable type.

Numerical data are not guaranteed, and they are subject to changes without notification.

The plug meet the requirements **SCHUKO, UNISCHUKO** standards

APPLICATION

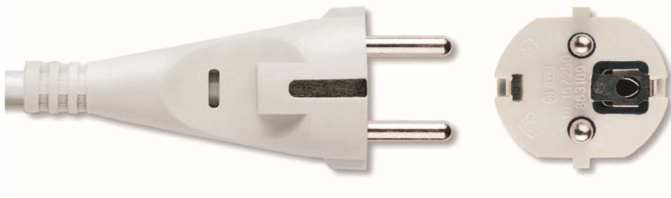
Gastronomy equipment. Excellent mechanical properties and abrasion resistance, highly resistant to chemicals.



Assembled cords with inseparable plug, cables arranged into spirals with free ends

Three-wire assembled cords with inseparable moulded plug

V302 PVC



Technical specification:	ČSN IEC 60884
Rated voltage:	250 V
Rated current *):	10 A (V302/86 3079) 16 A (others)
Temperature range for handling:	-5 °C to +70 °C
Environmentally friendly product:	meets RoHS REACH
Material - plug:	PVC
Material - sheath:	PVC
Sheath color:	black (C), white (B), grey (S)

Construction

PVC, 3 cores

Catalogue number – Cable type	Max. length
V302/86 3079 – H05VV - F 3G0,75 mm ²	50 m
V302/86 3109 – H05VV - F 3G1 mm ²	50 m
V302/86 3159 – H05VV - F 3G1,5 mm ²	50 m

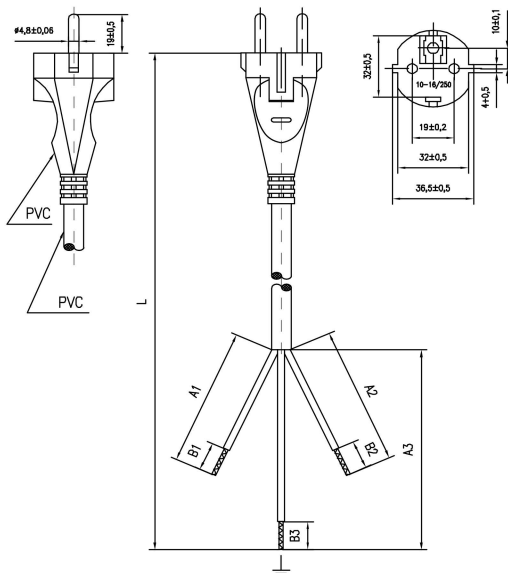
*) The given rated current refers to the moulded plug. Current ratings of individual striped cord types with moulded plugs can be calculated with help of values and formels given in standards ČSN 33 2000-5-523 and ČSN 34 7410-5 considering the used cable type.

Numerical data are not guaranteed, and they are subject to changes without notification.

Vidlice splňuje požadavky normy pro zemění **SCHUKO**, **UNISCHUKO**.

APPLICATION

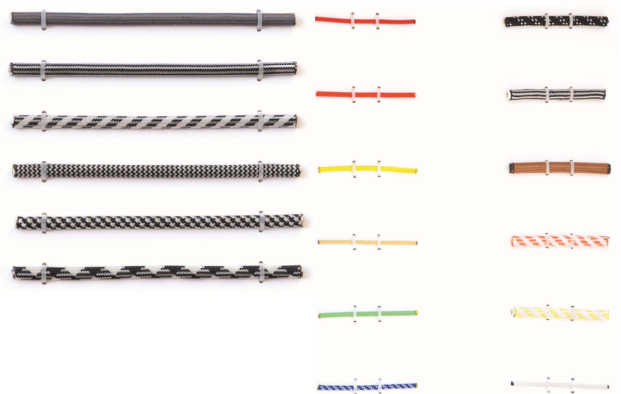
Illuminated advertising, iceboxes, extension cords.



Type version:

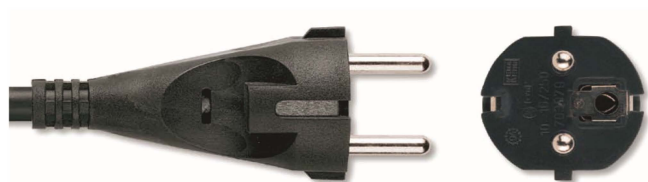
Non braided - see „Numerical indication of assembled power cords“

Braided - see „Versions of braided power cords“ (pg. 49)



Three-wire assembled cords with inseparable moulded plug

V302 Rubber



Construction

Pryž, 3 cores

Catalogue number – Cable type

V302/91 3109 – H05RR - F 3G1 mm²

V302/91 3159 – H05RR - F 3G1,5 mm²

V302/93 3109 – H05RN - F 3G1 mm²

Max. length

50 m

50 m

50 m

Technical specification: ČSN IEC 60884

Rated voltage: 250 V

Rated current *): 16 A

Temperature range for handling: -40 °C to +60 °C

Environmentally friendly product: meets RoHS REACH

Material - plug: PVC

Material - sheath: rubber

Sheath color: black

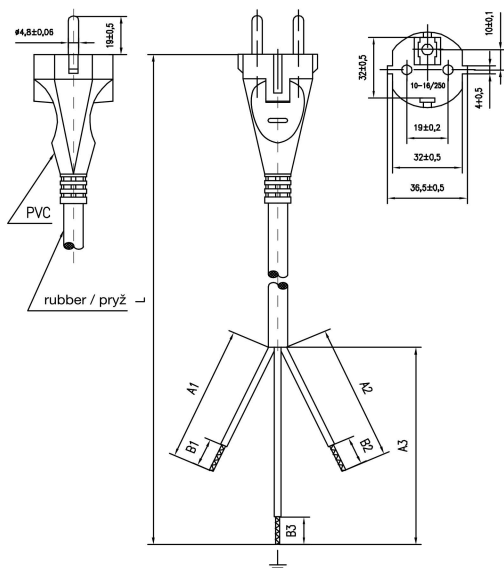
*) The given rated current refers to the moulded plug. Current ratings of individual striped cord types with moulded plugs can be calculated with help of values and formels given in standards ČSN 33 2000-5-523 and ČSN 34 7410-5 considering the used cable type.

Numerical data are not guaranteed, and they are subject to changes without notification.

The plug meet the requirements **SCHUKO, UNISCHUKO** standards

APPLICATION

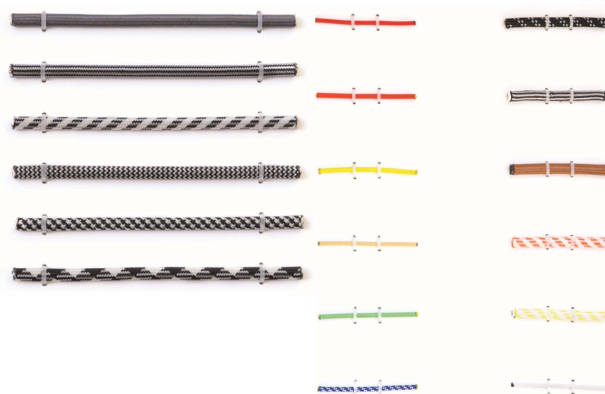
Electric heaters, extension cords, pumps.



Type version:

Non braided - see „Numerical indication of assembled power cords“

Braided - see „Versions of braided power cords“ (pg. 49)



Assembled cords with inseparable plug, cables arranged into spirals with free ends

Three-wire assembled cords with inseparable moulded plug

V303 PVC



Technical specification:	ČSN IEC 60884
Rated voltage:	250 V
Rated current *):	16 A
Temperature range for handling:	-5 °C to +70 °C
Environmentally friendly product:	meets RoHS REACH
Material - plug:	PVC
Material - sheath:	PVC
Sheath color:	white

Construction

PVC, 3 cores

Catalogue number – Cable type

V303/86 3105 – H05VV - F 3G1 mm²


V303/86 3155 – H05VV - F 3G1,5 mm²

Max. length

50 m

50 m

Special properties

Degree of protection – IP44 

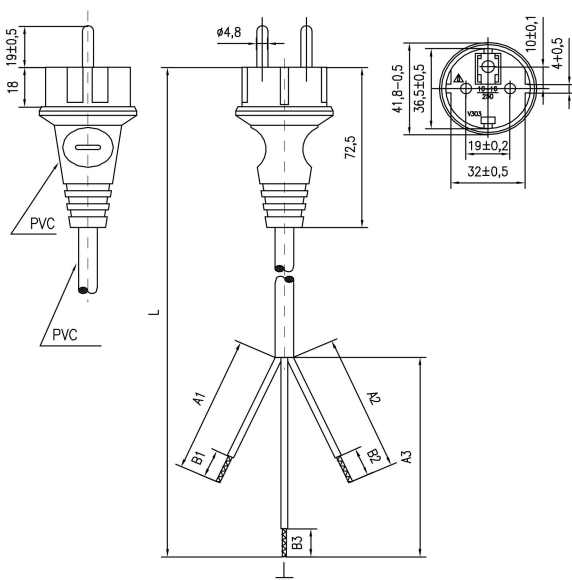
*) The given rated current refers to the moulded plug. Current ratings of individual striped cord types with moulded plugs can be calculated with help of values and formels given in standards ČSN 33 2000-5-523 and ČSN 34 7410-5 considering the used cable type.

Numerical data are not guaranteed, and they are subject to changes without notification.

The plug meet the requirements **SCHUKO**, **UNISCHUKO** standards

APPLICATION

Wherever IP44 rating is required, bathrooms, wet processing shops.



Type version:

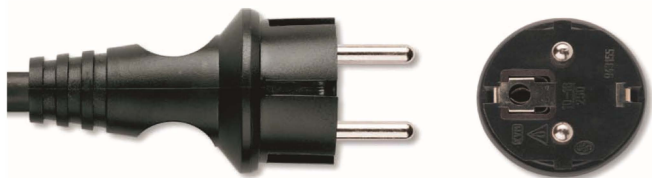
Non braided - see „Numerical indication of assembled power cords“

Braided - see „Versions of braided power cords“ (pg. 49)



Three-wire assembled cords with inseparable moulded plug

V303 Rubber



Construction

Rubber, 3 cores

Catalogue number – Cable type

V303/93 3075 – H05RN - F 3G0,75 mm²

V303/94 3105 – H07RN - F 3G1 mm²

V303/94 3155 – H07RN - F 3G1,5 mm²

V303/97 3155 – H07BB - F 3G1,5 mm²

Max. length

50 m

50 m

50 m

50 m

Special properties

Degree of protection – IP44 

Technical specification: ČSN IEC 60884

Rated voltage: 250 V

Rated current *): 10 A (V303/93 3075)
16 A (others)

Temperature range for handling: -40 °C to +60 °C

Environmentally friendly product: meets RoHS REACH

Material - plug: PVC

Material - sheath: rubber

Sheath color: black

*) The given rated current refers to the moulded plug. Current ratings of individual striped cord types with moulded plugs can be calculated with help of values and formels given in standards ČSN 33 2000-5-523 and ČSN 34 7410-5 considering the used cable type.

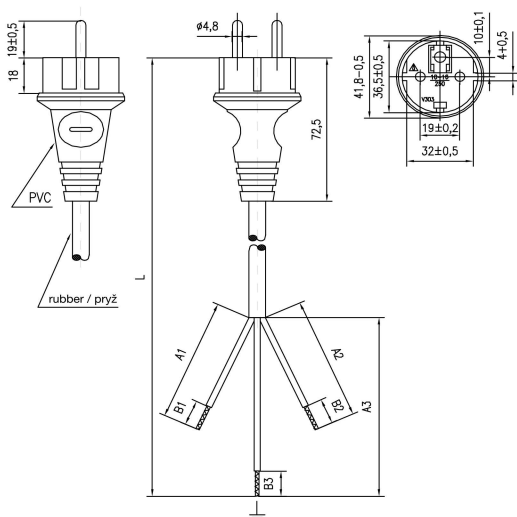
Numerical data are not guaranteed, and they are subject to changes without notification.

The plug meet the requirements **SCHUKO, UNISCHUKO** standards

APPLICATION

Wherever IP44 rating is required, water pumps, sludge pumps.

**) H07BB-F is heat-resistant cable up to +90°C



Type version:

Non braided - see „Numerical indication of assembled power cords“

Braided - see „Versions of braided power cords“ (pg. 49)



**Construction**

PVC, 2 cores

Catalogue number – Cable typeN2/81 2050 – H03VH7H - F 2x0,50 mm²**Max. length**

2 m

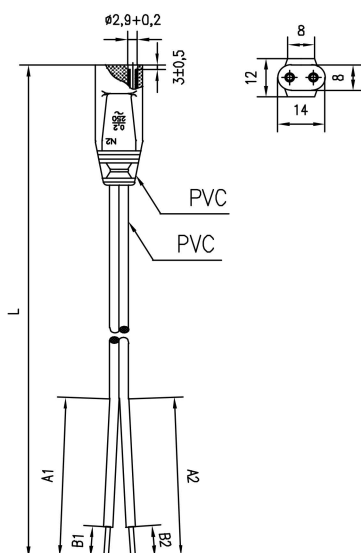
Technical specification: ČSN EN 60320**Rated voltage:** 250 V**Rated current *):** 2,5 A**Temperature range for handling:** -5 °C to +70 °C**Environmentally friendly product:** meets RoHS REACH**Material - plug:** PVC**Material - sheath:** PVC**Sheath color:** black (C), white (B), grey (S)

*) The given rated current refers to the moulded plug. Current ratings of individual striped cord types with moulded plugs can be calculated with help of values and formels given in standards ČSN 33 2000-5-523 and ČSN 34 7410-5 considering the used cable type.

Numerical data are not guaranteed, and they are subject to changes without notification.

APPLICATION

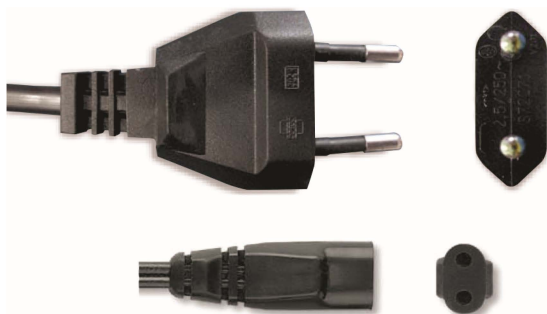
Electric milking machines.



Assembled cords with inseparable plug, cables arranged into spirals with free ends

Special assembled cords with inseparable moulded plug and connector

N2/V201



Technical specification:	ČSN EN 60320
Rated voltage:	250 V
Rated current *):	2,5 A
Temperature range for handling:	-5 °C to +70 °C
Environmentally friendly product:	meets RoHS REACH
Material - plug:	PVC
Material - sheath:	PVC
Sheath color:	black

Construction

PVC, 2 cores

Catalogue number – Cable type

N2/81 2051 – H03VH7 - F 2x0,50 mm²

Max. length

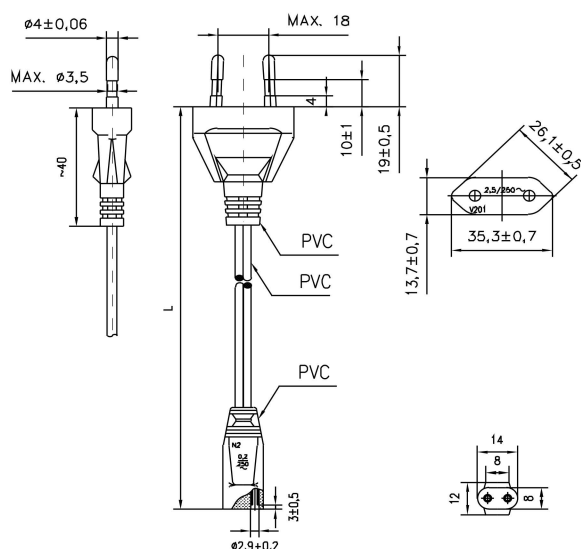
2 m

*) The given rated current refers to the moulded plug. Current ratings of individual striped cord types with moulded plugs can be calculated with help of values and formels given in standards ČSN 33 2000-5-523 and ČSN 34 7410-5 considering the used cable type.

Numerical data are not guaranteed, and they are subject to changes without notification.

APPLICATION

Shavers.





Construction

PVC, 3 cores

Catalogue number – Cable type

N5/86 3070 – H05VV - F 3G0,75 mm²

N5/86 3100 – H05VV - F 3G1 mm²

Max. length

2 m

50 m

Technical specification: ČSN EN 60320

Rated voltage: 250 V

Rated current *): 10 A (N5/86 3070)
16 A (N5/86 3100)

Temperature range for handling: -5 °C to +70 °C

Environmentally friendly product: meets RoHS REACH

Material - plug: PVC

Material - sheath: PVC

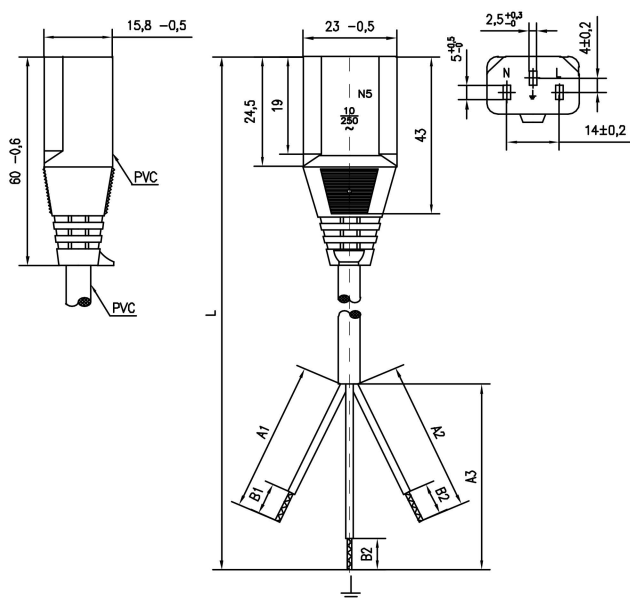
Sheath color: black (C), white (B), grey (S)

*) The given rated current refers to the moulded plug. Current ratings of individual striped cord types with moulded plugs can be calculated with help of values and formels given in standards ČSN 33 2000-5-523 and ČSN 34 7410-5 considering the used cable type.

Numerical data are not guaranteed, and they are subject to changes without notification.

APPLICATION

Personal computers.



Assembled cords with inseparable plug, cables arranged into spirals with free ends

Special assembled cords with inseparable moulded plug and connector

N5/V301



Technical specification:	ČSN EN 60320
Rated voltage:	250 V
Rated current *):	10 A (N5/86 3077) 16 A (N5/86 3107)
Temperature range for handling:	-5 °C to +70 °C
Environmentally friendly product:	meets RoHS REACH
Material - plug:	PVC
Material - sheath:	PVC
Sheath color:	black (C), white (B), grey (S)

Construction

PVC, 3 cores

Catalogue number – Cable type

N5/86 3077 – H05VV - F 3G0,75 mm²

N5/86 3107 – H05VV - F 3G1 mm²

Max. length

2 m

50 m

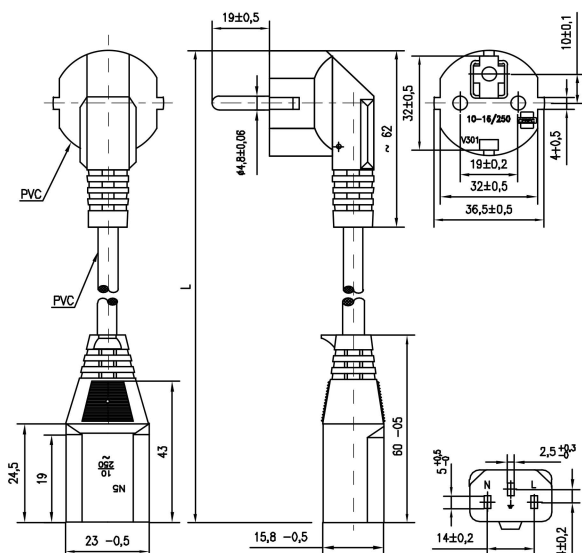
*) The given rated current refers to the moulded plug.

Current ratings of individual striped cord types with moulded plugs can be calculated with help of values and formels given in standards ČSN 33 2000-5-523 and ČSN 34 7410-5 considering the used cable type.

Numerical data are not guaranteed, and they are subject to changes without notification.

APPLICATION

Computers and TV technology, in medicine.



Type version:

Non braided - see „Numerical indication of assembled power cords“

Braided - see „Versions of braided power cords“ (pg. 49)





Construction

PVC, 3 cores

Catalogue number – Cable type

N5/86 3079 – H05VV - F 3G0,75 mm²

N5/86 3109 – H05VV - F 3G1 mm²

Max. length

2 m

50 m

Technical specification: ČSN EN 60320

Rated voltage: 250 V

Rated current *): 10 A (N5/86 3079)
16 A (N5/86 3109)

Temperature range for handling: -5 °C to +70 °C

Environmentally friendly product: meets RoHS REACH

Material - plug: PVC

Material - sheath: PVC

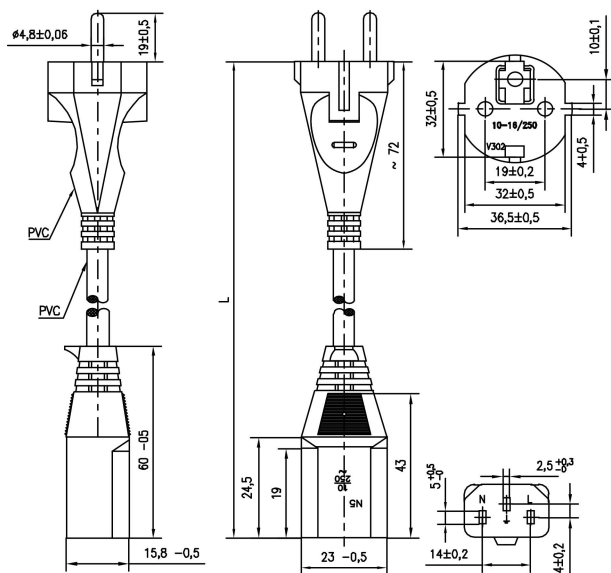
Sheath color: black (C), white (B), grey (S)

*) The given rated current refers to the moulded plug. Current ratings of individual striped cord types with moulded plugs can be calculated with help of values and formels given in standards ČSN 33 2000-5-523 and ČSN 34 7410-5 considering the used cable type.

Numerical data are not guaranteed, and they are subject to changes without notification.

APPLICATION

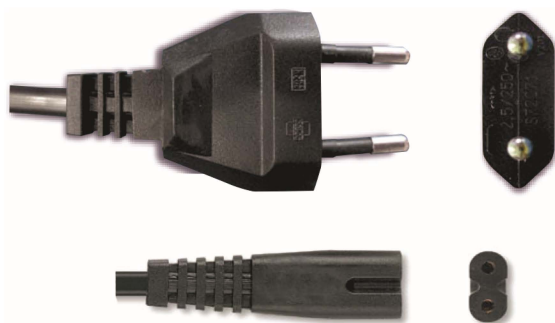
Computers and TV technology, in medicine.



Assembled cords with inseparable plug, cables arranged into spirals with free ends

Special assembled cords with inseparable moulded plug and connector

N6/V201



Technical specification:	ČSN EN 60320
Rated voltage:	250 V
Rated current *):	2,5 A
Temperature range for handling:	-5 °C to +70 °C
Environmentally friendly product:	meets RoHS REACH
Material - plug:	PVC
Material - sheath:	PVC
Sheath color:	black

Construction

PVC, 2 cores

Catalogue number – Cable type

N6/82 2051 – H03VVH2-F 2x0,50 mm²

Max. length

2 m

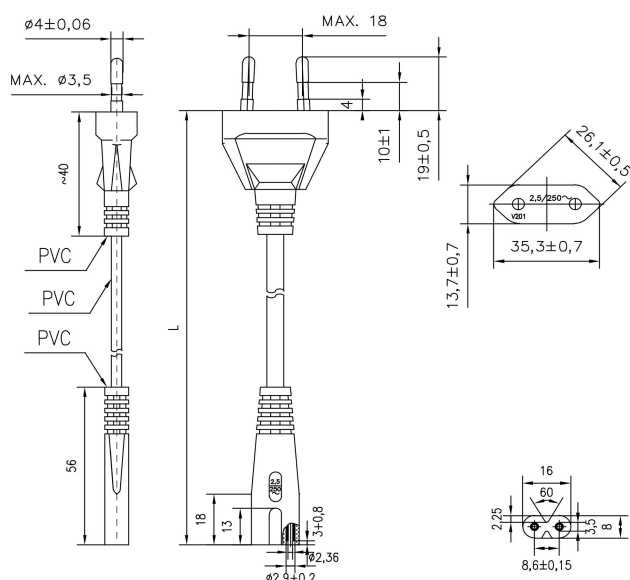
*) The given rated current refers to the moulded plug.

Current ratings of individual striped cord types with moulded plugs can be calculated with help of values and formels given in standards ČSN 33 2000-5-523 and ČSN 34 7410-5 considering the used cable type.

Numerical data are not guaranteed, and they are subject to changes without notification.

APPLICATION

Magnetophones, radios, DVD, audio technology.





Technical specification:	ČSN EN 60320
Rated voltage:	250 V
Rated current *):	10 A (P5/86 3070) 16 A (P5/86 3100)
Temperature range for handling:	-5 °C to +70 °C
Environmentally friendly product:	meets RoHS REACH
Material - plug:	PVC
Material - sheath:	PVC
Sheath color:	black (C), white (B), grey (S)

Construction

PVC, 3 cores

Catalogue number – Cable type

P5/86 3070 – H05VV-F 3G0,75 mm²

P5/86 3100 – H05VV-F 3G1 mm²

Max. length

2 m

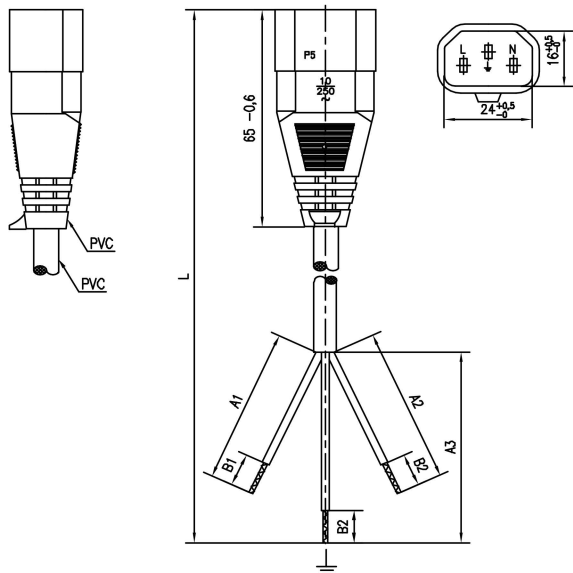
50 m

*) The given rated current refers to the moulded plug. Current ratings of individual striped cord types with moulded plugs can be calculated with help of values and formels given in standards ČSN 33 2000-5-523 and ČSN 34 7410-5 considering the used cable type.

Numerical data are not guaranteed, and they are subject to changes without notification.

APPLICATION

Personal computers.



Assembled cords with inseparable plug, cables arranged into spirals with free ends

Assembled cords with detachable plug

P5/N5



Technical specification:	ČSN EN 60320
Rated voltage:	250 V
Rated current *):	10 A (P5/N5/86 3077) 16 A (P5/N5/86 3107)
Temperature range for handling:	-5 °C to +70 °C
Environmentally friendly product:	meets RoHS REACH
Material - plug:	PVC
Material - sheath:	PVC
Sheath color:	black (C), white (B), grey (S)

Construction

PVC, 3 cores

Catalogue number – Cable type

P5/N5/86 3070 – H05VV-F 3G0,75 mm²

P5/N5/86 3100 – H05VV-F 3G1 mm²

Max. length

2 m

50 m

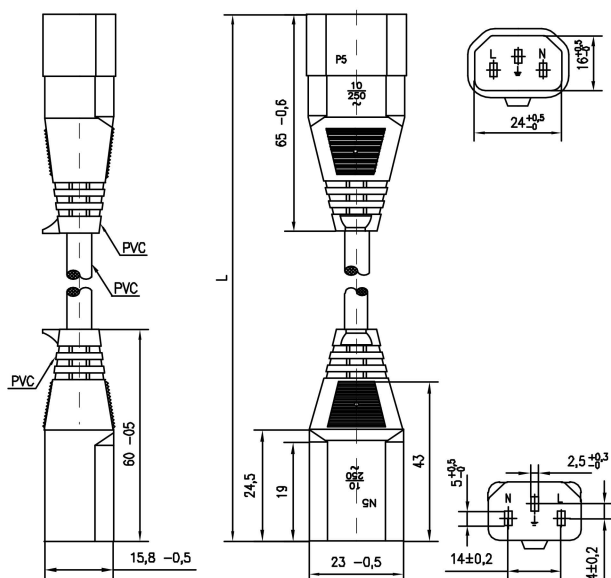
*) The given rated current refers to the moulded plug.

Current ratings of individual striped cord types with moulded plugs can be calculated with help of values and formels given in standards ČSN 33 2000-5-523 and ČSN 34 7410-5 considering the used cable type.

Numerical data are not guaranteed, and they are subject to changes without notification.

APPLICATION

Personal computer adapter.



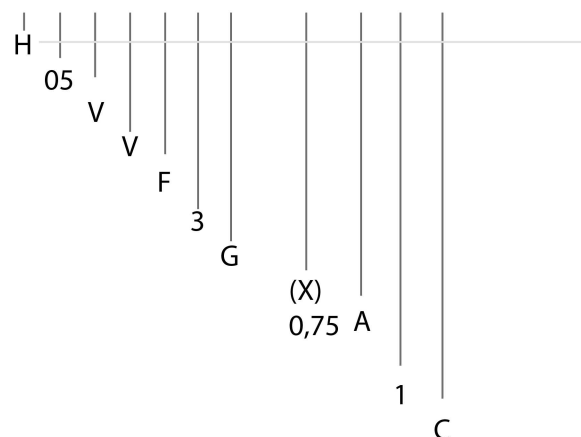
Cables up to 500 V with PVC sheath arranged into spiral - type H05VV-F according to HD 21.5

PVC 500V



Numerical marking of stripped cords

H 05 V V - F 3 G 0,75 - A - 1 C



- cable according to harmonized standard
- nominal voltage 300/500 V
- material of insulation PVC
- material of sheath PVC
- flexible conductor to class 5
- number of conductors
- color version of cores, according to HD 308 S2
- core diameter (mm²)
- spiral length in still stand *)
(A=800 mm, B=600 mm, C=300 mm, D, E=other length)
- type free end termination
- color of sheath black, B – color of sheath white

*) Spiral may be stretched up to the triple still length with holding its shape memory.

Type of spiral	Length of spiral *) (mm)	Free end 1 with sheath + cores (mm)	Free end 2 with sheath + cores (mm)	Windup	Type of cable
H05VV-F3G0,75-A-1 C	800	100+50	300+50	Ferrules	H05VV-F 3G0,75
H05VV-F3G0,75-A-1 B	800	100+50	300+50	Ferrules	H05VV-F 3G0,75
H05VV-F3G0,75-B-1 C	600	100+50	300+50	Ferrules	H05VV-F 3G0,75
H05VV-F3G0,75-B-1 B	600	100+50	300+50	Ferrules	H05VV-F 3G0,75
H05VV-F3G0,75-C-1 C	300	100+50	300+50	Ferrules	H05VV-F 3G0,75
H05VV-F3G0,75-C-1 B	300	100+50	300+50	Ferrules	H05VV-F 3G0,75
H05VV-F3G0,75-D-4 C	220	100	100	Without stripping	H05VV-F 3G0,75
H05VV-F3G0,75-D-4 B	220	100	100	Without stripping	H05VV-F 3G0,75
H05VV-F3G0,75-D-7 B	350	200+25	180+20	Without stripping	H05VV-F 3G0,75
H05VV-F3G0,75-E-5 C	460	90+50	75+30	Ferrules	H05VV-F 3G0,75
H05VV-F3G0,75-E-6 C	460	45+70	200+100	Ferrules	H05VV-F 3G0,75
H05VV-F3G0,75-E-6 B	460	45+70	200+100	Ferrules	H05VV-F 3G0,75
H05VV-F5G0,75-A-1 B	800	100+50	300+50	Ferrules	H05VV-F 3G0,75
H05VV-F5G0,75-B-1 B	600	100+50	300+50	Ferrules	H05VV-F 3G0,75
H05VV-F5G0,75-C-1 B	300	100+50	300+50	Ferrules	H05VV-F 3G0,75
H05VV-F4G1-A-1 B	800	200+60	200+60	Ferrules	H05VV-F 4G1
H05VV-F4G1-B-1 B	500	200+60	200+60	Ferrules	
Older type					
H05VV-F207-N1 C	800	50	100	Without stripping	H05VV-F 2X0,75
H05VV-F207-N1 B	800	50	100	Without stripping	H05VV-F 2X0,75
H05VV-F310-N31 C	800	60+60	60+60	Ferrules	H05VV-F 3G1
H05VV-F310-N31 B	800	60+60	60+60	Ferrules	H05VV-F 3G1
H05VV-F307-N31 B	800	60+60	60+60	Ferrules	H05VV-F 3G0,75

Numerical data are not guaranteed, and they are subject to changes without notification. The chart is indicative only.

Assembled cords with inseparable plug, cables arranged into spirals with free ends

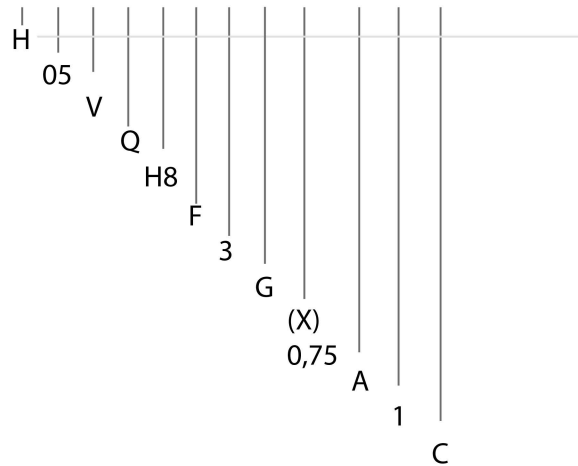
PUR 500V

Cables up to 500 V with PUR sheath arranged into spiral - type V05VQ-F according to PN-NKT-087-10



Numerical marking of stripped cords

V 05 V Q H8-F 3 G 0,75 - A-1 C



- cable according to non-harmonized standard
- nominal voltage 300/500 V
- material of insulation PVC
- material of sheath TPU
- spiralled power cord
- flexible conductor to class 5
- number of conductors
- color version of cores, according to HD 308 S2
- core diameter (mm²)
- spiral length in still stand *)
(A=800 mm; B=600 mm; C=300 mm; D, E=other length)
- type free end termination
- color of sheath black

*) Spiral may be stretched up to the triple still length with holding its shape memory.

Type of spiral	Length of spiral *) (mm)	Free end 1 with sheath + cores (mm)	Free end 2 with sheath + cores (mm)	Windup	Type of cable
V05VQH8-F2X1-E-1 C	120	270	120	Without stripping	V05VQ-F 2X1
V05VQH8-F2X1-A-1 C	800	600	300	Without stripping	V05VQ-F 2X1
V05VQH8-F2X1-B-1 C	600	600	300	Without stripping	V05VQ-F 2X1
V05VQH8-F2X1-A-2 C	800	800	800	Without stripping	V05VQ-F 2X1
V05VQH8-F3G1-A-1 C	800	600	300	Without stripping	V05VQ-F 3G1
V05VQH8-F3G1-B-1 C	600	600	300	Without stripping	V05VQ-F 3G1
V05VQH8-F3G1,5-A-1 C	800	250	250	Without stripping	V05VQ-F 3G1,5
V05VQH8-F4G1-A-1 C	800	600	300	Without stripping	V05VQ-F 4G1

Numerical data are not guaranteed, and they are subject to changes without notification. The chart is indicative only.

Cable bushings

Standard cable bushing for cables type - H03VV-F, H03VVH2-F, H05VV-F, H05VVH2-F



Technical specification:	PN 09/96
Rated voltage:	300/300 V 300/500 V
Temperature range for handling:	-15 °C to +70 °C
Environmentally friendly product:	meets RoHS REACH
Material:	PVC
Colour:	black (C), white (B), grey (S)

Marking: Bushing H03 D (A x B)

H03 – harmonized cable type (H03VV, H05VV)

D – nominal diameter of used cable (mm)

A x B – oval type, width x thickness (mm)

Numerical data are not guaranteed, and they are subject to changes without notification.

APPLICATION

The bushing mechanically protects the cable when passing through various enclosures to the devices from damage to the cable sheath, provides a greater bending radius when handling the cable, and if the bushing is directly pressed onto the cable, it prevents it from being pulled out of the device. Delivery: separately or directly on pre-fabricated cords.

Type of bushing	Inne hole dimension of the bushing D, A x B (mm)	Type of bushing
H03 5,1	5,1	H03VV-F 2X0,5
H03 5,6	5,6	H03VV-F 2X0,75
H03 5,4	5,1	H03VV-F 3X0,5
H03 5,9	5,9	H03VV-F 3X0,75
H05 6,4	6,4	H05VV-F 2X0,75
H05 6,6	6,6	H05VV-F 2X1
H05 7,6	7,6	H05VV-F 2X1,5
H05 6,8	6,8	H05VV-F 3G0,75
H05 7,0	7	H05VV-F 3G1
H05 8,3	8,3	H05VV-F 3G1,5
H03 5,1 x 3,2	5,1 x 3,2	H03VVH2-F 2X0,5
H03 5,6 x 3,4	5,6 x 3,4	H03VVH2-F 2X0,75
H05 6,4 x 4,0	6,4 x 4,0	H05VVH2-F 2X0,75

The chart is indicative only.

Assembled cords with inseparable plug, cables arranged into spirals with free ends

Power cords



Rated voltage:	250 V
Test voltage:	2 kV
Temperature range for handling:	-40 °C to +60 °C
Insulation material:	rubber compound EI4 HD 22.1 (EN 50363-1)
Outer sheath:	rubber compound EM3 HD 22.1 (EN 50363-2-1)
Sheath color:	orange ,black (Other colors on request)

Conductor material:	made of fine stranded wires acc. to EN 60228 class 5 (or IEC 60228 class 5/VDE 0295 class 5)
Core identification:	acc. to HD 308 S2:2001 (EN 50363-2-1 / DIN VDE 0293-308)
Cord cross-section:	1,5 mm ² ; 2,5 mm ²
Length:	10, 15, 20, 25, 30 m any length of extension cords can be made to order
Ending:	plug IP44 splash-proof /outlet

Numerical data are not guaranteed, and they are subject to changes without notification.

APPLICATION

Electric hand tools.

Type of cable	No. of cores x nominal cross-section (n x mm ²)	Max. single wire diameter (mm)	Nominal insulation thickness (mm)	Nominal sheath thickness (mm)	Outer diameter (mm)	Ampacity (A)	Informative weight (kg/km)	Maximal conductor resistance at 20°C (Ω/km)
H05RR-F	3x1,5	0,26	0,8	1,0	8,0 - 10,4	16	127	13,7
	3x2,5	0,26	0,9	1,1	9,0 - 11,6	24	155	8,21
H07RR-F	3x1,5	0,21	0,8	1,6	9,2 - 11,9	16	159	13,7

Power cords 380V



Type of cord: H07RN-F
Type of sockets / outlets: 3P+N+PE
Length: 10,15,20 m
Protection rating: IP44

Rated voltage: 240/415 V
Temperature range for handling: -25 °C to +60 °C
Material of sheath: rubber
Colour of sheath: black, orange

Numerical data are not guaranteed, and they are subject to changes without notification.

APPLICATION

Industrial use, agricultural equipment, household etc.

No. of cores x nominal cross-section (n x mm ²)	Max. single wire diameter (mm)	Nominal insulation thickness (mm)	Nominal sheath thickness (mm)	Outer diameter (mm)	Ampacity (A)	Informative weight (kg/km)	Maximal conductor resistance at 20°C (Ω/km)
5x2,5	0,26	0,1	2,0	13,3 - 17,0	16	347	8,21
5x4	0,31	1	2,2	15,6 - 19,9	32	488	5,09



Design options of braiding of wires



Braiding material:

100 % polyester

Braiding temp. resistance:

max. 170°C

Patterns:

